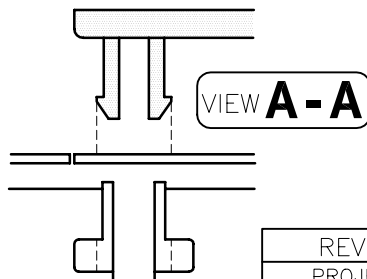
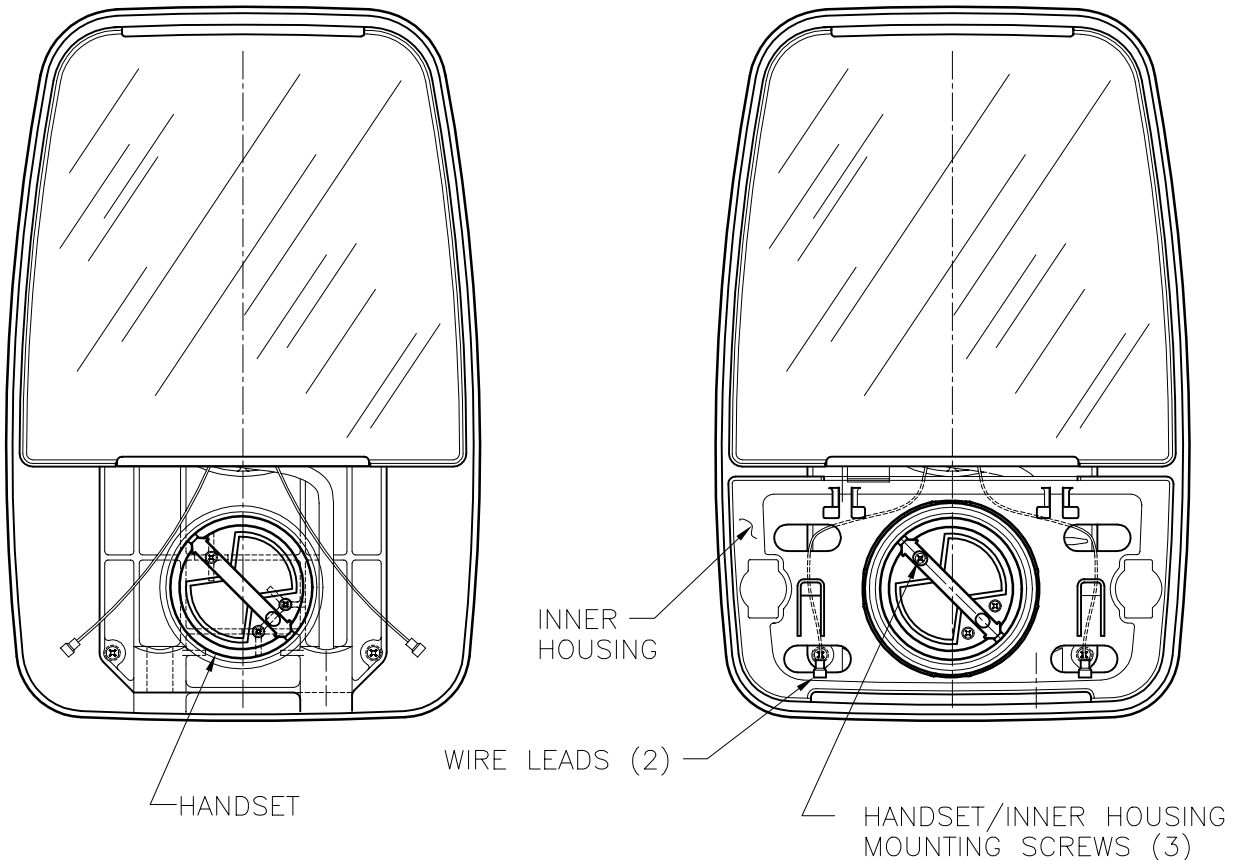


REPAIR KIT INSTRUCTIONS

**** READ ALL INSTRUCTIONS FIRST BEFORE PROCEEDING ****

CAUTION: WEAR EYE AND HAND PROTECTION WHEN REPLACING CONVEX MIRROR.

1. REMOVE THE (3) MOUNTING SCREWS THAT ATTACH THE HANDSET TO THE MAIN INTERNAL MIRROR ASSEMBLY BACKING PLATE.
2. ATTACH THE NEW HANDSET TO INTERNAL MIRROR ASSEMBLY BACKING PLATE USING THE (3) SCREWS PREVIOUSLY REMOVED.
3. PULL HEATING ELEMENT WIRE LEADS THROUGH HOLES IN THE NEW CONVEX GLASS INNER HOUSING.
4. SNAP THE NEW INNER HOUSING ONTO THE HANDSET MAKING SURE THAT THE (4) LOCK TABS SNAP ONTO HANDSET.
5. ATTACH HEATING ELEMENT WIRES AND INSTALL GLASS INTO THE INNER HOUSING BEING SURE THAT THE GLASS IS PLACED UNDER THE LOWER RETAINING LIP.
6. ASSEMBLE THE MIRROR CLIP (INCLUDED IN KIT) TO INNER HOUSING AS SHOWN IN VIEW A-A BY INSERTING CLIP INTO THE RECEIVER UNTIL CLIP SNAPS INTO PLACE.



FUNCTIONAL REVISIONS:
ALL REVISIONS WITH SOLID
TRIANGLE ARE USABLE

REVISIONS	
PROJECT #1636	
▲01	06-04-99 MS

PROPRIETARY
THIS CONCEPT & DRAWING IS THE
PROPERTY OF VELVAC INC. AND SHALL
NOT BE REPRODUCED, COPIED, USED
FOR THE MANUFACTURE OR
PROCUREMENT FROM SOURCES OTHER
THAN VELVAC INC., WITHOUT WRITTEN
PERMISSION FROM VELVAC INC.

VELVAC®		SCALE: X X	DRAWN BY: MS
DATE: 6-4-99		DRAWING NUMBER:	
REPLACEMENT CONVEX GLASS, HANDSET AND INNER HOUSING KIT		7095892	