

CAUTION:
SAFETY GLASSES AND GLOVES REQUIRED FOR THE FOLLOWING PROCEDURE.

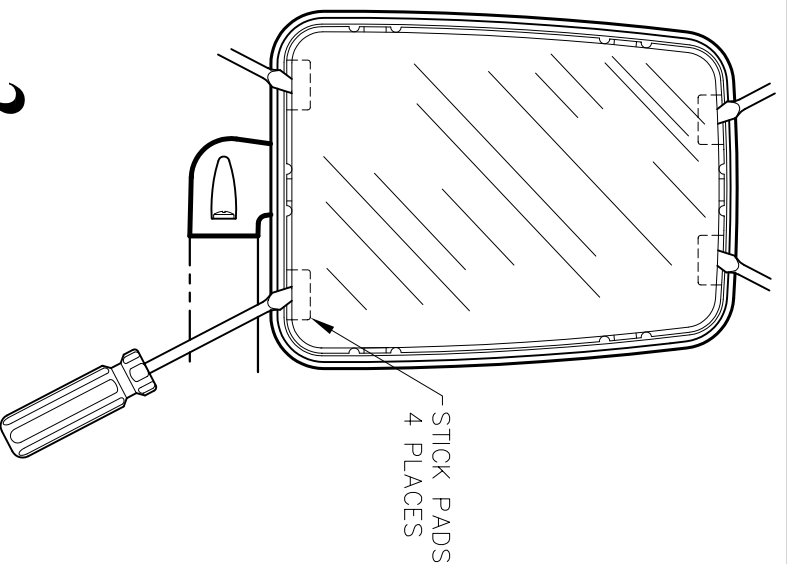
NOTE:
READ ALL INSTRUCTIONS BEFORE PROCEEDING.

STEP 1 REMOVING BEZEL (FOR MANUAL SHOWN)

TO REMOVE BEZEL USE A LARGE FLAT HEAD SCREWDRIVER AND INSERT BETWEEN OUTER HOUSING AND BEZEL AS SHOWN ABOVE. WITH THE SCREWDRIVER IN THE PROPER POSITION (6 LOCATIONS SHOWN ABOVE), CAREFULLY PRY UPWARD UNTIL BEZEL SNAPS LOOSE.

REMOVING BEZEL (FOR REMOTE NOT SHOWN)

TO REMOVE BEZEL, MANUALLY TILT MIRROR GLASS INSIDE OF HOUSING (NOT MIRROR HEAD) TO THE EXTREME LEFT, RIGHT, UP, OR DOWN POSITION TO EXPOSE THE DESIRED BEZEL CLIP (6) ON BACK SIDE OF GLASS HOUSING. USING A PAIR OF NEEDLE NOSE PLIERS, SQUEEZE CLIPS TOGETHER AND PULL BEZEL OUTWARD TO REMOVE.



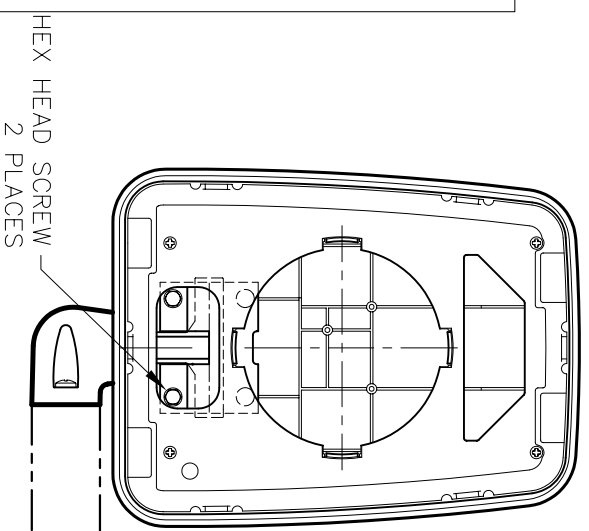
STEP 2 REMOVING GLASS (FOR MANUAL & REM.)

ONCE BEZEL HAS BEEN REMOVED, CAREFULLY INSERT SCREWDRIVER UNDERNEATH MIRROR GLASS. WITH SCREWDRIVER IN THE PROPER LOCATION OF THE STICK PADS (AS SHOWN ABOVE) GENTLY BUT FIRMLY PRY MIRROR GLASS UPWARD TO FREE GLASS FROM STICK PADS. IF NECESSARY, USE A SHARP RAZOR KNIFE TO LOOSEN STICK PADS FROM GLASS WHILE PRYING.

NOTE: DAMAGED STICK PADS WOULD NOT BE DETRIMENTAL TO MIRROR ASSEMBLY.

NOTE: IF GLASS BREAKAGE OCCURS ORDER THE FOLLOWING KIT NUMBERS:

MANUAL VERSION: #709407
REMOTE VERSION: #709748



STEP 3 TIGHTEN SCREWS (FOR MANUAL & REM.)

WITH CLEAR VIEW OF THE TWO HEX HEAD SCREWS, SIMPLY USE A RATCHET WITH AN EXTENSION AND A 3/8" SOCKET TO TIGHTEN TO 50 IN.-LBS. MAX. (NOTE: ONLY TIGHTEN THE TWO LOWER HEX HEAD SCREWS).

TORQUE SPECIFICATIONS

TORQUE HEX HEAD SCREW TO 50 IN.-LBS. (MAX. REF.)



FUNCTIONAL REVISIONS:
ALL REVISIONS WITH SOLID TRIANGLE ARE USABLE

REVISIONS	DATE	BY
01	11-01-95	GE
ECN #E05197		
02	05-27-05	BM

PROPRIETARY
THIS CONCEPT & DRAWING IS THE PROPERTY OF VELVAC, INC. AND IS NOT TO BE REPRODUCED OR COPIED IN ANY MANNER WITHOUT THE WRITTEN PERMISSION OF VELVAC, INC. FROM VELVAC, INC.

SCALE: X X X X	DATE: 11-01-95	DRAWING NUMBER: 7136582	DRAWN BY: G.E.
GLASS REMOVAL FOR CLASS "C" MIRROR ASSEMBLY (MANUAL & REMOTE)			