

REPLACEMENT CLASS "A" MIRROR HEAD INSTALLATION INSTRUCTIONS

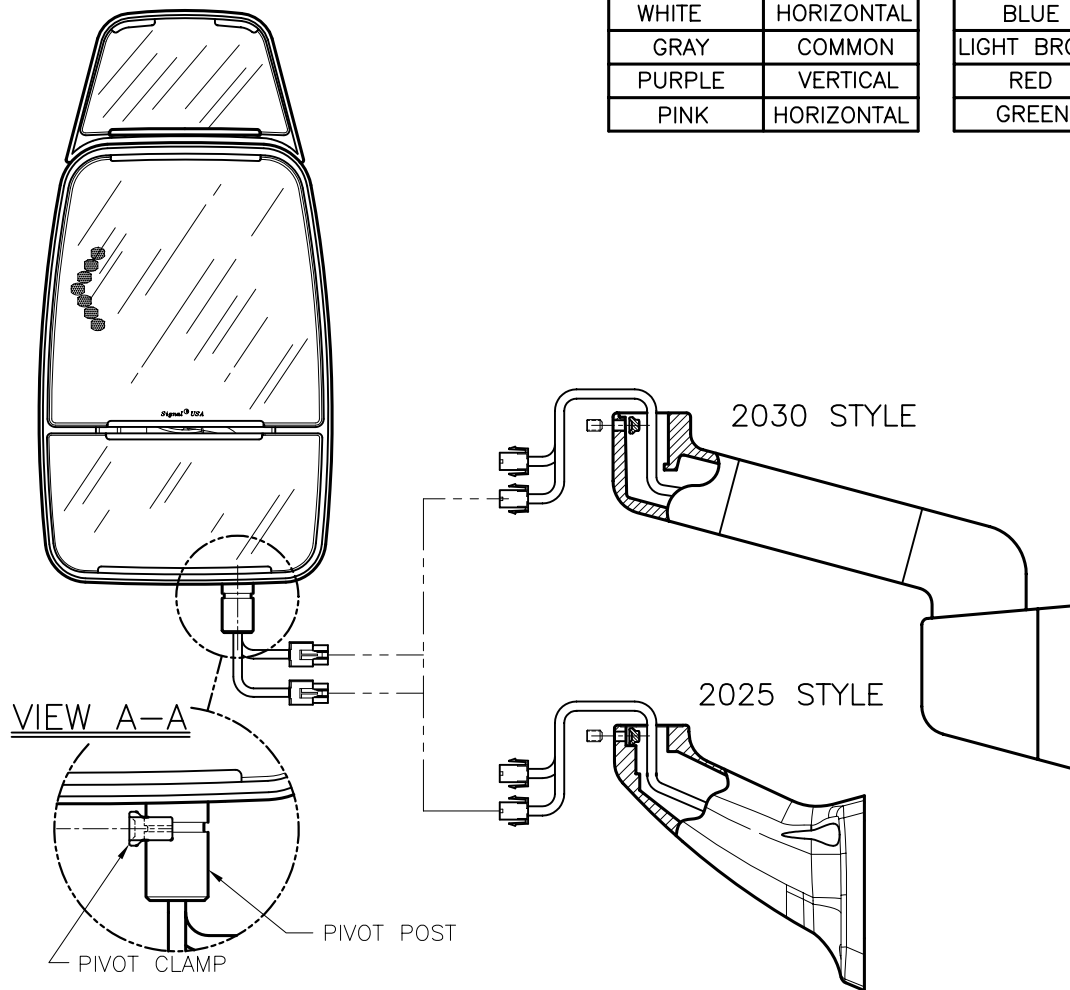
WIRE COLOR	FUNCTION
YELLOW	COMMON
BLACK	VERTICAL
WHITE	HORIZONTAL
GRAY	COMMON
PURPLE	VERTICAL
PINK	HORIZONTAL

WIRE COLOR	FUNCTION
BROWN	COMMON
ORANGE	VERTICAL
BLUE	HORIZONTAL
LIGHT BROWN	SIGNAL
RED	HEATER
GREEN	HEATER

INSTALLATION INSTRUCTIONS

TOOLS REQUIRED: 3/16" HEX WRENCH

- STEP #1 LOOSEN MIRROR HEAD SET SCREW.
- STEP #2 LIFT MIRROR HEAD FROM MOUNTING BASE/ARM AND REMOVE OLD HEAD BY DISCONNECTING PLUGS. SAVE PIVOT CLAMP TO ATTACH REPLACEMENT HEAD. (SEE VIEW A-A)
- STEP #3 TO MOUNT THE REPLACEMENT MIRROR HEAD. CONNECT THE MALE MIRROR HEAD PLUGS TO THE FEMALE PLUGS ON THE MOUNTING BASE/ARM. (MAKE SURE THE PLUGS ARE ATTACHED PROPERLY BY MATCHING THE WIRE COLORS ON THE MIRROR HEAD TO THE WIRE COLORS ON THE MOUNTING BASE/ARM.) BE SURE TO PLACE CLAMP INTO MIRROR PIVOT POST PRIOR TO POSITIONING MIRROR PIVOT INTO BASE/ARM SEE (VIEW A-A.)
- STEP #4 PIVOT MIRROR HEAD INTO PROPER VIEWING POSITION AND TIGHTEN SET SCREW.



VELVAC® DRAWN BY: MS
DATE: 01-23-03

INSTALLATION INSTRUCTIONS
REPLACEMENT TRIPLE GLASS CLASS
"A" MIRROR HEAD

PROPRIETARY

SCALE:

DRAWING NO.

7155062

REVISIONS	
PROJECT #1844	
▲01	01-23-03 MS
ECN #E04174	
▲	CHG APPEARANCE OF SIGNAL GLASS
▲02	04-14-06 BM

FUNCTIONAL REVISIONS:
ALL REVISIONS WITH SOLID
TRIANGLE ARE USABLE

THIS CONCEPT & DRAWING IS THE PROPERTY OF VELVAC, INC. AND SHALL NOT BE REPRODUCED, COPIED, DISCLOSED, USED FOR THE MANUFACTURE OR PROCUREMENT FROM SOURCES OTHER THAN VELVAC INC. WITHOUT WRITTEN PERMISSION FROM VELVAC INC.