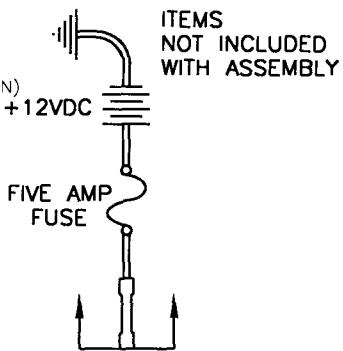
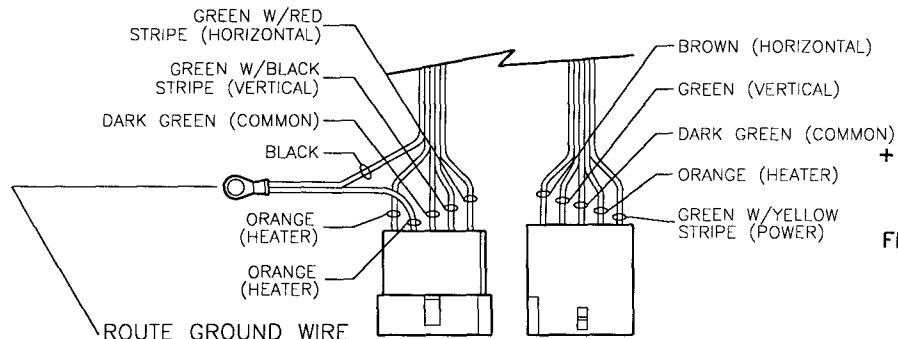


FUNCTIONAL REVISIONS:
ALL REVISIONS WITH SOLID
TRIANGLE ARE USABLE

REVISIONS	
▲06	02-25-04 JS
▲	ECN #E06091
▲	ADDED LABELS TO SWITCH PLATE WIRES
▲07	04-18-06 BM

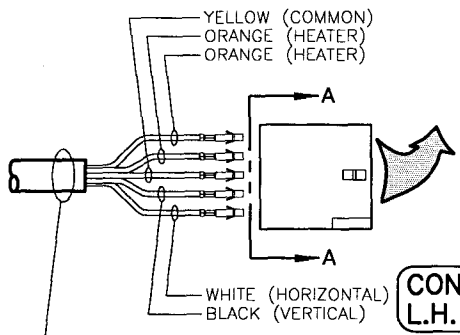
WIRES FROM SWITCH PLATE



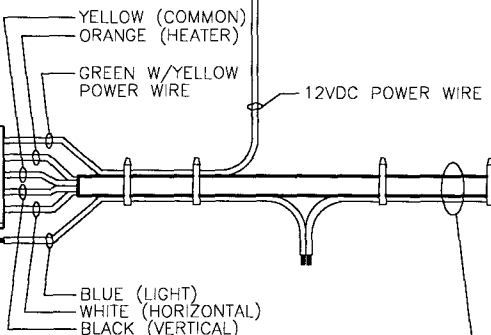
CONNECTION INSIDE R.H. COVER PLATE

ROUTE GROUND WIRE THROUGH DOOR AND INTO CAB. SECURE WIRE INSIDE CAB.

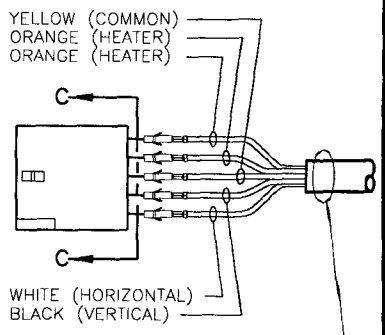
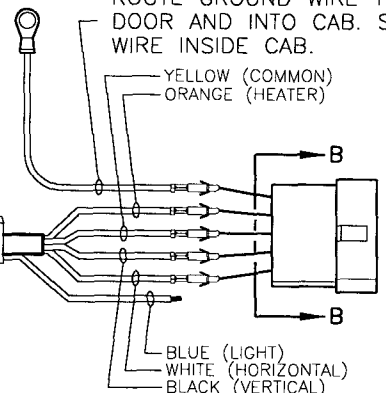
ROUTE GROUND WIRE THROUGH DOOR AND INTO CAB. SECURE WIRE INSIDE CAB.



CONNECTION INSIDE L.H. COVER PLATE



DOOR TO DOOR WIRE HARNESS

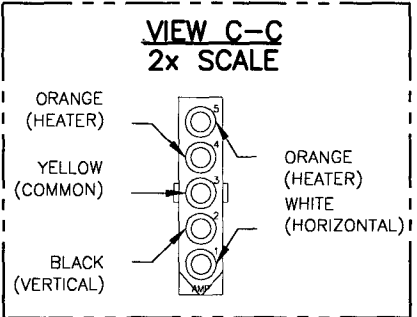
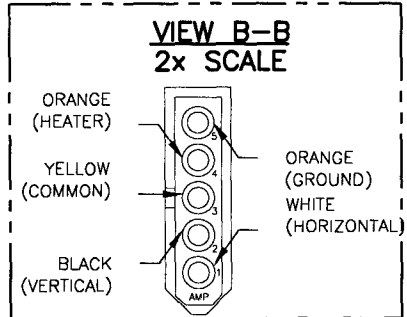
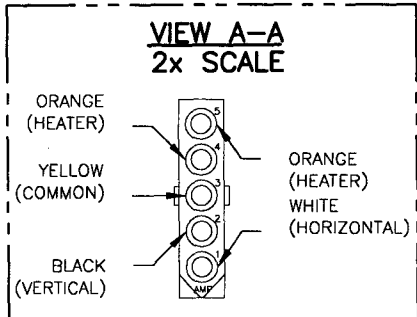


WIRE FROM R.H. MIRROR HEAD HEATED/REMOTE

WIRE FROM L.H. MIRROR HEAD HEATED/REMOTE

FOR HEATED/REMOTE MIRRORS SEE PAGE 1
FOR HEATED/REMOTE/LIGHTED MIRRORS SEE PAGE 2

PROPRIETARY
THIS CONCEPT & DRAWING IS THE PROPERTY OF VELVAC, INC. AND SHALL NOT BE REPRODUCED, COPIED, DISCLOSED, USED FOR THE MANUFACTURE OR PROCUREMENT FROM SOURCES OTHER THAN VELVAC INC., WITHOUT WRITTEN PERMISSION FROM VELVAC INC.



VELVAC ORIGINAL

SCALE: X X X
DATE: 05-06-97
DRAWN BY: B.E.

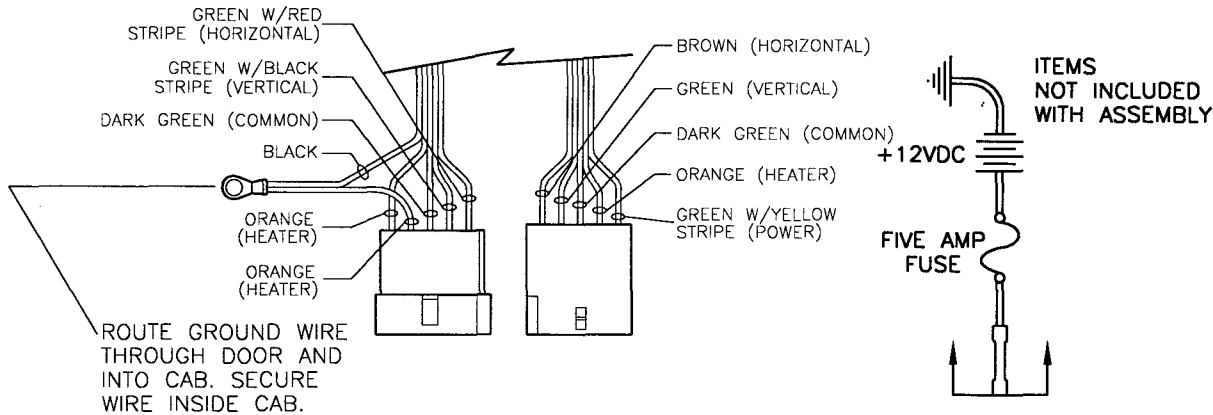
WIRING INSTRUCTIONS
2020 MIRROR ASSY'S
FORD ECONOLINE

DRAWING NUMBER: PAGE 1 OF 3
7475242

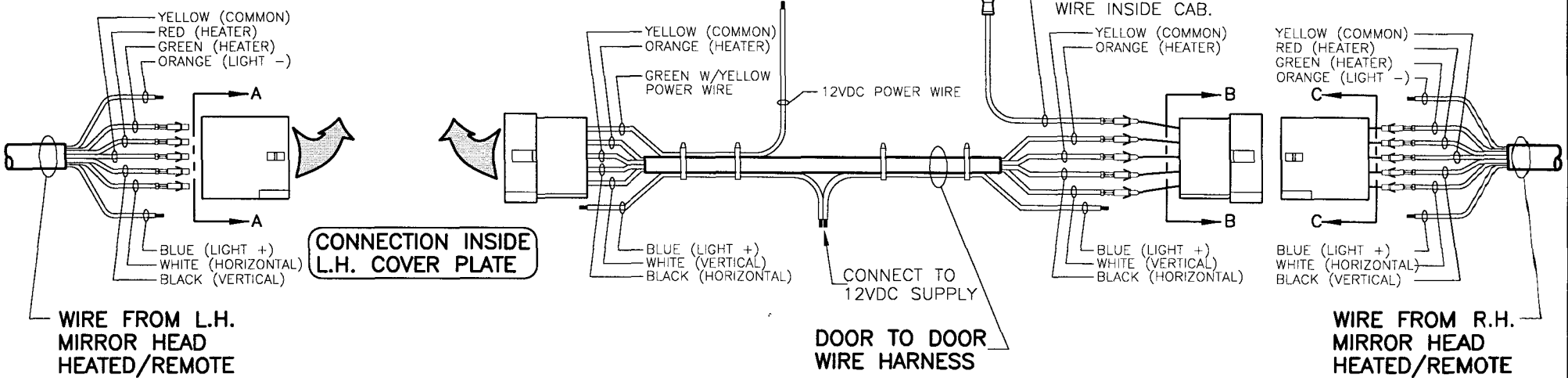
FUNCTIONAL REVISIONS:
ALL REVISIONS WITH SOLID
TRIANGLE ARE USABLE

REVISIONS
SEE PAGE 1 OF 3

WIRES FROM SWITCH PLATE

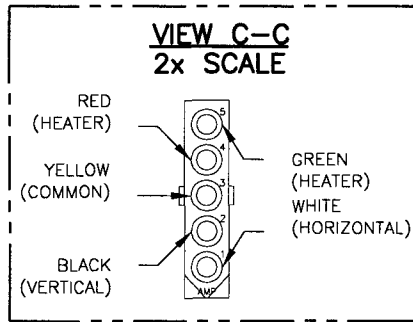
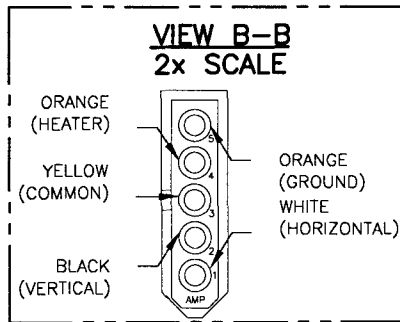
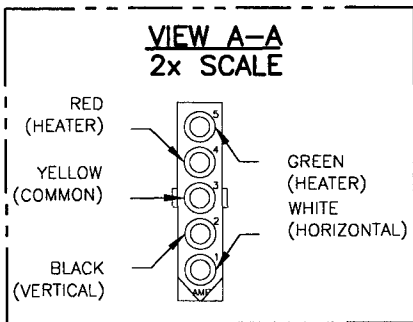


CONNECTION INSIDE R.H. COVER PLATE



FOR HEATED/REMOTE MIRRORS SEE PAGE 1

FOR HEATED/REMOTE/LIGHTED MIRRORS SEE PAGE 2



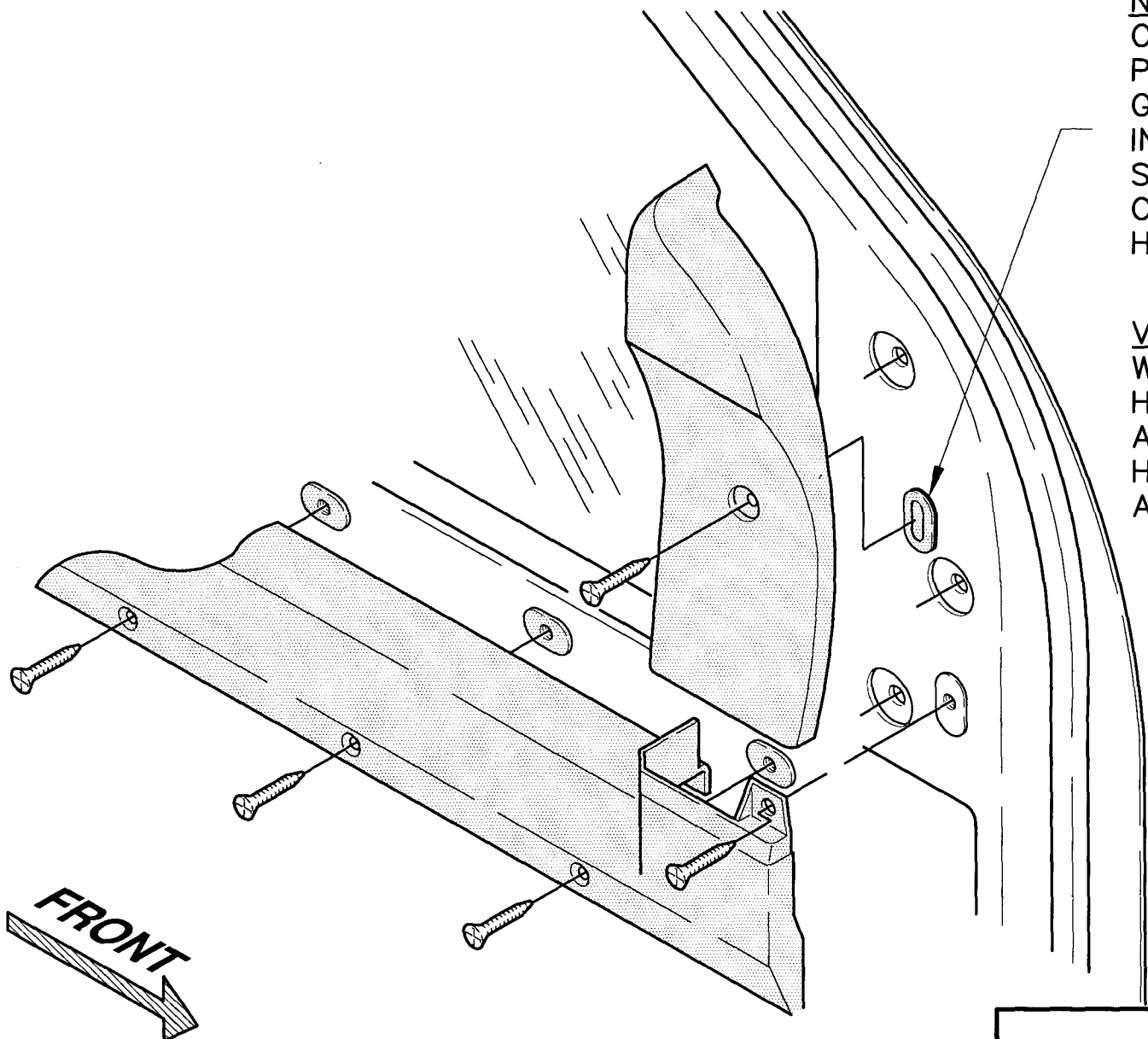
PROPRIETARY
THIS CONCEPT & DRAWING IS THE PROPERTY OF VELVAC, INC. AND SHALL NOT BE REPRODUCED, COPIED, DISCLOSED, USED FOR THE MANUFACTURE OR PROCUREMENT FROM SOURCES OTHER THAN VELVAC INC., WITHOUT WRITTEN PERMISSION FROM VELVAC INC.

VELVAC ORIGINAL

SCALE: X X X
DATE: 05-06-97
DRAWN BY: B.E.

WIRING INSTRUCTIONS
2020 MIRROR ASSY'S
FORD ECONOLINE

DRAWING NUMBER: PAGE 2 OF 3
7475242



NOTE:
 ON NEWER VEHICLES WITHOUT PLASTIC SCREW GROMMET, USE GROMMET PROVIDED AND INSERT INTO DOOR SLOT IN POSITION SHOWN. TIGHTEN DOWN SWITCH COVER PLATE WITH THE PAN HEAD SCREW ALSO PROVIDED.

VEHICLES 1998 AND NEWER
 WITHOUT HOLE FOR GROMMET. HOLD COVER PLATE IN POSITION AND TIGHTEN DOWN WITH THE HEX HEAD SELF-DRILLING SCREW ALSO PROVIDED.

FRONT →

VELVAC®

SCALE: .400
 DATE: 05-06-97

ORIGINAL

DRAWN BY: B.E.

PROPRIETARY
 THIS CONCEPT & DRAWING IS THE PROPERTY OF VELVAC, INC. AND SHALL NOT BE REPRODUCED, COPIED, DISCLOSED, USED FOR THE MANUFACTURE OR PROCUREMENT FROM SOURCES OTHER THAN VELVAC INC., WITHOUT WRITTEN PERMISSION FROM VELVAC INC.

WIRE INSTRUCTIONS 2020
 MIRROR ASSY'S FORD
 ECONOLINE

DRAWING NUMBER: PAGE 3 OF 3
7475242