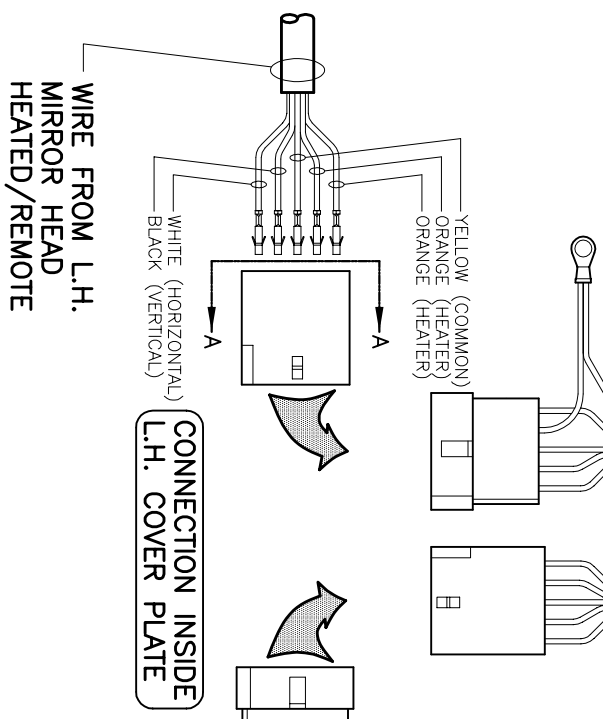


REVISIONS	▲03	109-08-99	JS
	▲04	102-25-04	JS

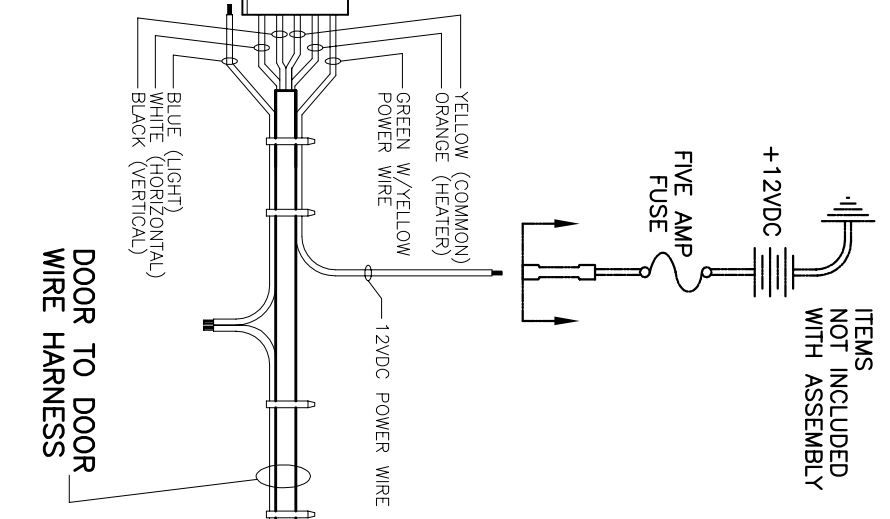
FUNCTIONAL REVISIONS:
ALL REVISIONS WITH SOLID
TRIANGLE ARE USABLE

**WIRES FROM
SWITCH PLATE**

ROUTE GROUND WIRE THROUGH
DOOR AND INTO CAB. SECURE
WIRE INSIDE CAB.



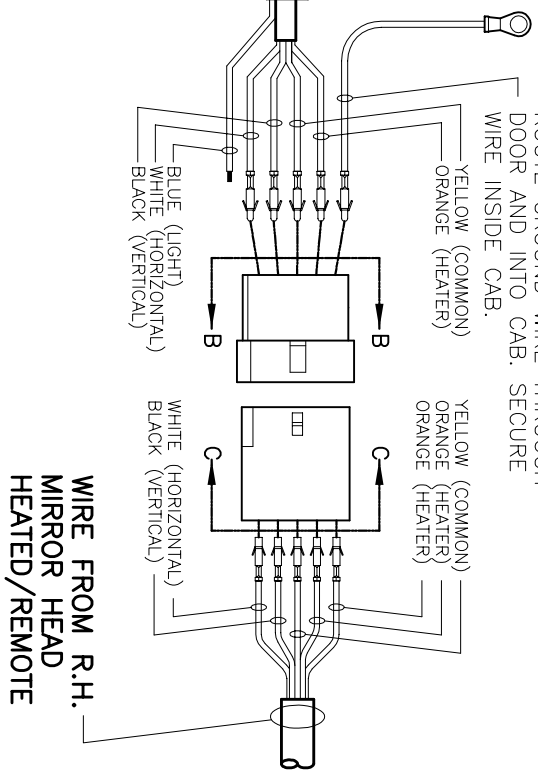
**CONNECTION INSIDE
L.H. COVER PLATE**



ITEMS
NOT INCLUDED
WITH ASSEMBLY

**CONNECTION INSIDE
R.H. COVER PLATE**

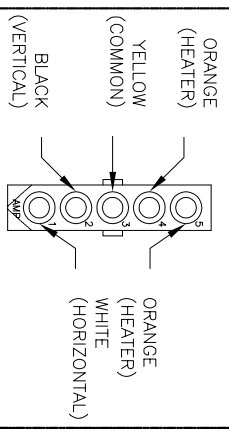
ROUTE GROUND WIRE THROUGH
DOOR AND INTO CAB. SECURE
WIRE INSIDE CAB.



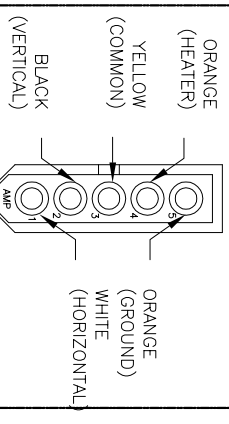
WIRE FROM R.H.
MIRROR HEAD
HEATED/REMOTE

FOR HEATED/REMOTE MIRRORS SEE PAGE 1
FOR HEATED/REMOTE/LIGHTED MIRRORS SEE PAGE 2

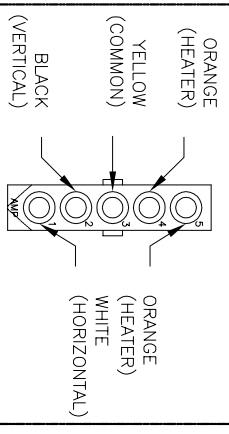
**VIEW A-A
2x SCALE**



**VIEW B-B
2x SCALE**



**VIEW C-C
2x SCALE**



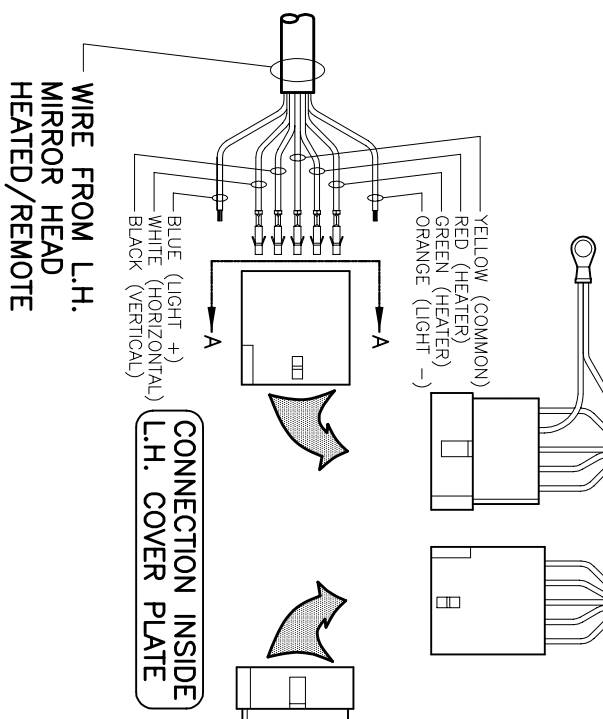
PROPRIETARY
THIS CONCEPT & DRAWING IS THE
PROPERTY OF VELVAC, INC. AND
SHALL NOT BE REPRODUCED,
COPIED, DISCLOSED OR OTHERWISE
TRANSMITTED IN ANY FORM OR BY
ANY MEANS, ELECTRONIC OR MECHANICAL,
INCLUDING PHOTOCOPYING, RECORDING,
OR BY ANY INFORMATION STORAGE AND
RETRIEVAL SYSTEM, WITHOUT WRITTEN PERMISSION
FROM VELVAC, INC.

SCALE: X X X X	DRAWN BY: J.S.
DATE: 04-09-99	
WIRING INSTRUCTIONS	DRAWING NUMBER: PAGE 1 OF 2
2020 MIRROR ASSY'S	7476332
FORD SUPER DUTY	

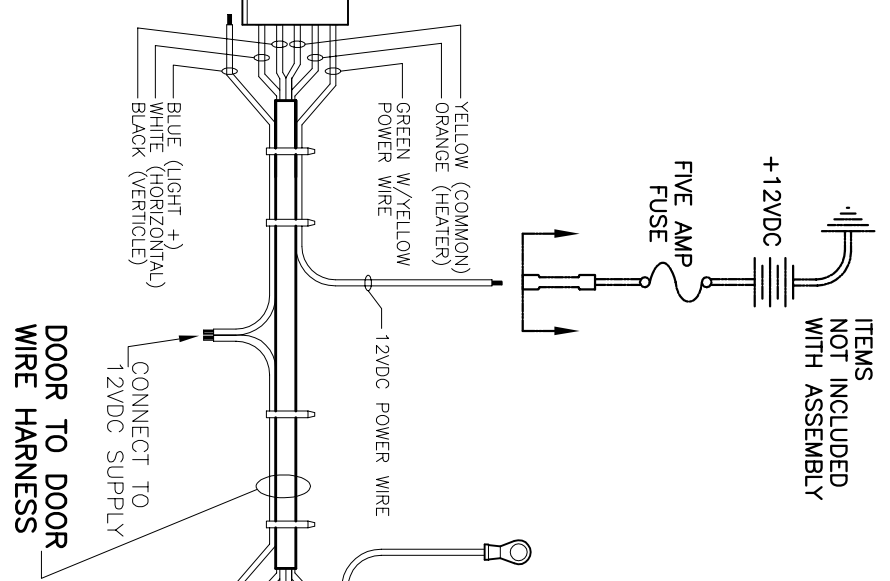
FUNCTIONAL REVISIONS:
ALL REVISIONS WITH SOLID
TRIANGLE ARE USABLE

**WIRES FROM
SWITCH PLATE**

ROUTE GROUND WIRE THROUGH
DOOR AND INTO CAB. SECURE
WIRE INSIDE CAB.



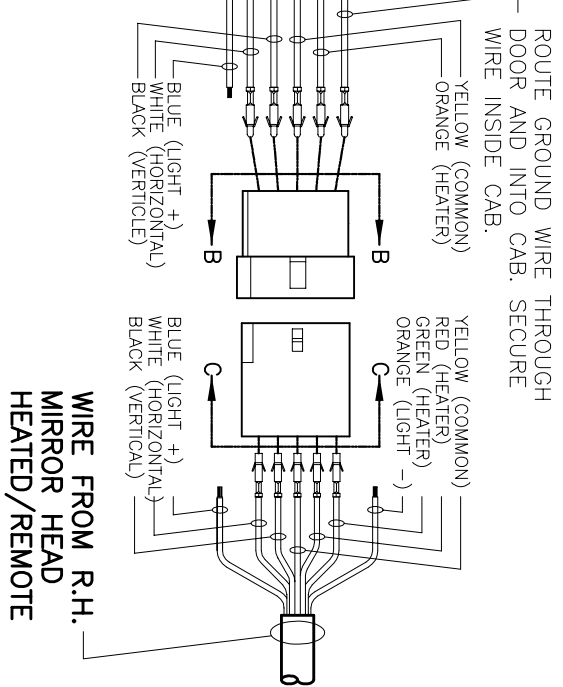
**CONNECTION INSIDE
L.H. COVER PLATE**



ITEMS
NOT INCLUDED
WITH ASSEMBLY

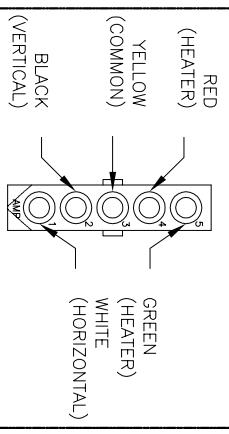
**CONNECTION INSIDE
R.H. COVER PLATE**

ROUTE GROUND WIRE THROUGH
DOOR AND INTO CAB. SECURE
WIRE INSIDE CAB.

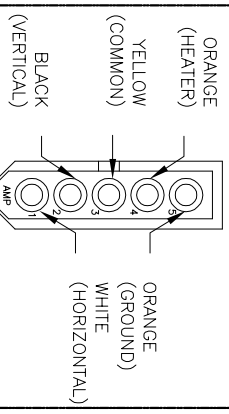


FOR HEATED/REMOTE MIRRORS SEE PAGE 1
FOR HEATED/REMOTE/LIGHTED MIRRORS SEE PAGE 2

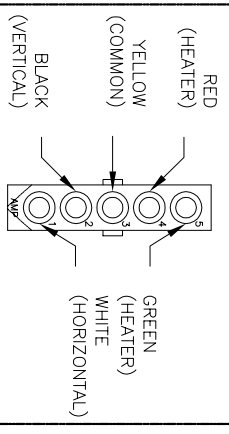
**VIEW A-A
2x SCALE**



**VIEW B-B
2x SCALE**



**VIEW C-C
2x SCALE**



PROPRIETARY
THIS CONCEPT & DRAWING IS THE
PROPERTY OF VELVAC, INC. AND
SHALL NOT BE REPRODUCED,
COPIED, DISCLOSED OR OTHERWISE
TRANSMITTED IN ANY FORM OR BY
ANY MEANS, ELECTRONIC OR MECHANICAL,
INCLUDING PHOTOCOPYING, RECORDING,
OR BY ANY INFORMATION STORAGE AND
RETRIEVAL SYSTEM, WITHOUT WRITTEN PERMISSION
FROM VELVAC, INC.

SCALE: X X X X
DATE: 04-09-99
DRAWING NUMBER: PAGE 2 OF 2
WIRING INSTRUCTIONS
2020 MIRROR ASSY'S
FORD SUPER DUTY
DRAWN BY: J.S.
7476332