

ANTI-SIPHON TUBES



Protect your fuel with Velvac's Anti-Siphon Tubes!

- * Made from 6061 aircraft aluminum tubing with a .065 wall thickness for **durability**
- * Patented aluminum extrusion in the tube make it **impossible to siphon fuel**
- * The Anti-Siphon is vented for fueling at **20+ gallons a minute**
- * Once the Anti-Siphon is installed it **CANNOT be removed**
- * **OEM approved design** fits almost every filler neck

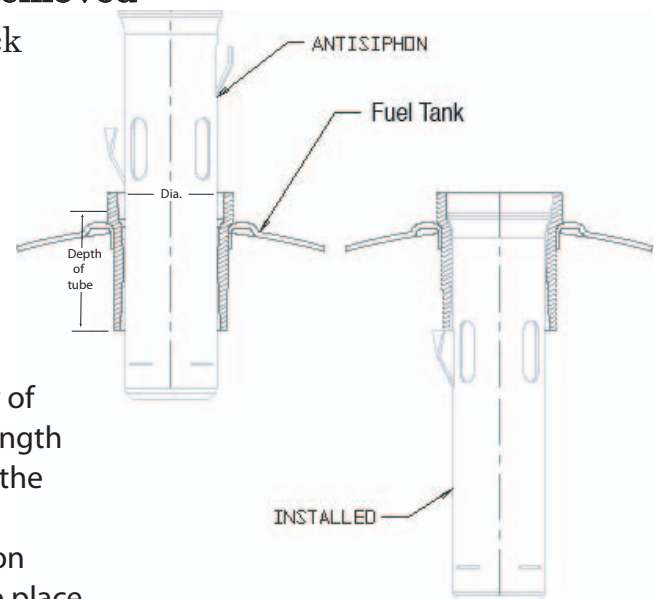


* Display Packaging



Installs in seconds!

Measure the inside diameter of the fuel tank neck and the length of the tank fill neck. Choose the correct Anti-Siphon for your application. Insert Anti-Siphon into filler neck and press into place.



Part #	Application
600241	Fits Heavy-Duty Volvo, International and Mack Trucks with a 3" filler neck
600242	Fits Heavy-Duty Volvo, International and Mack Trucks with a 2 1/2" filler neck
600243	Fits Heavy-Duty Kenworth with a 2 1/2" filler neck
600244	Fits Heavy-Duty Freightliner with a 2 1/4" filler neck
600245	Fits Medium-Duty trucks with a 2" filler neck
600246	Fits Medium-Duty and Reefer trucks with a 1.87" filler neck

Visit WWW.VELVAC.COM

TE096-1

Velvac, Inc. 2405 S.Calhoun Rd. New Berlin, WI 53151 Ph: 800-783-8871 Fx: 262-786-4101