



Guidelines for replacing inner support plate Deluxe mirror head, medium flat glass, full convex glass

The glass must first be removed. See “Glass Replacement Instruction” sheet. After glass removal you will see the 4 Phillips head screws holding the motor on to the inner support plate for the flat glass (see drawing D) and the 3 Phillips head screws holding the dummy motor on to the inner support plate for the lower convex glass (see drawing G). Removal of these screws will give you access to the 4 corner mounted screws for the inner support plate (see drawing C). The wires for the mirror may be disconnected from the motor and guided through the old inner support plate, then reinstalled in the new plate. Another method is to cut the wires and use connectors to splice the wires together after installing the new inner support plate. With the new plate in position mirror parts may then be reinstalled as they were removed.

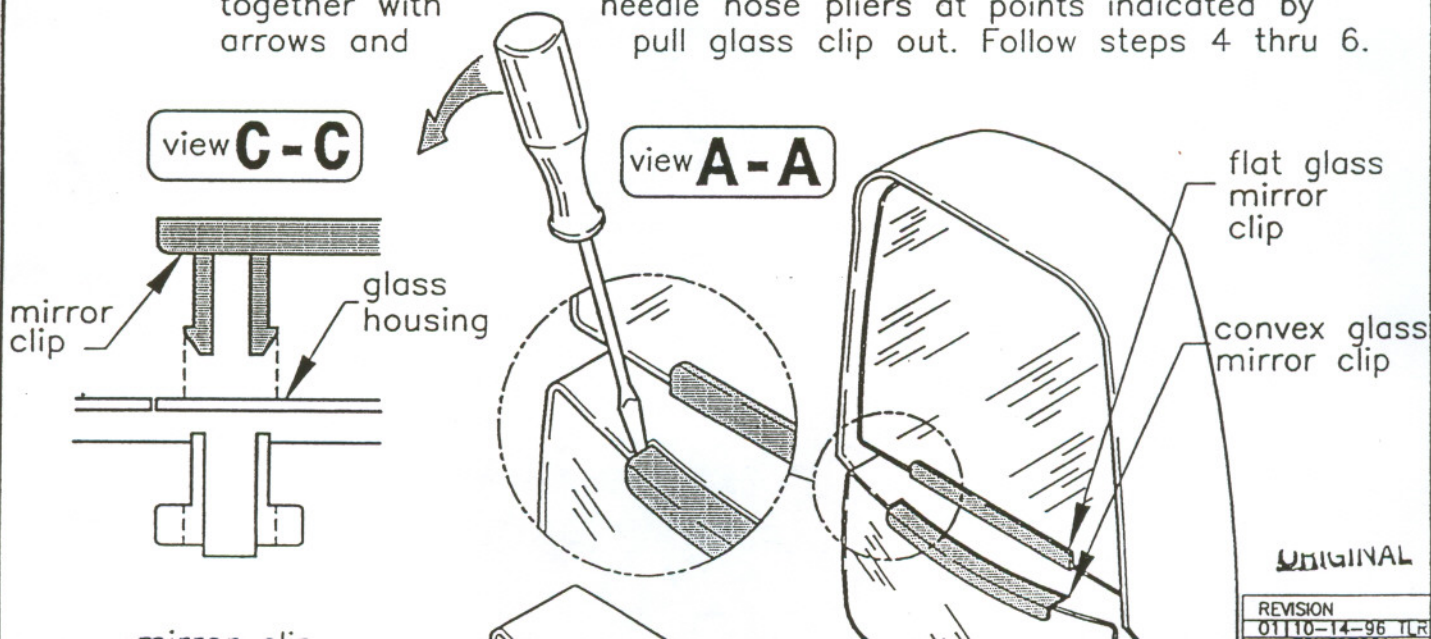
GLASS REPLACEMENT INSTRUCTION

**** READ ALL INSTRUCTIONS FIRST BEFORE PROCEEDING ****

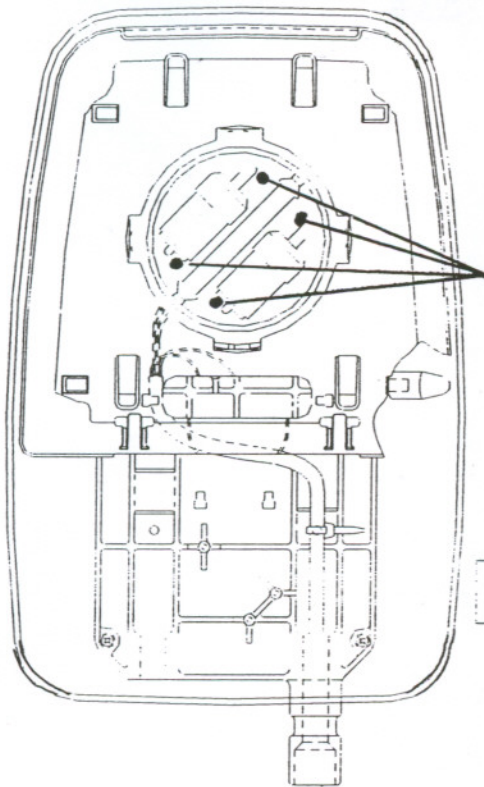
CAUTION: Always wear eye and hand protection when replacing glass.

- 1) Locate appropriate mirror clip depending if your replacing flat glass or convex glass as shown in view A-A.
- 2) Manually rotate mirror glass to better expose mirror clip and pry off clip with small screw driver at both ends of clip as shown below.
- 3) Remove broken glass (if held in with stick pads) by prying out with screw driver being carefull of sharp edges.
- 4) Once glass is removed, unclip heating element wires located at back of glass taking care that wires do not slip back inside of mirror housing.
- 5) Attach heating element wires to new glass and assemble glass into mirror housing being sure that glass is placed under retaining lip at opposite end of mirror clip as shown below.
- 6) Assemble mirror clip (included in kit) to end of glass housing as shown in view C-C by inserting clip into receiver until clip snaps into place.

Note: Mirror glass clips can be removed as described above or if clip retainer is exposed as shown in view B-B, pinch hooks together with needle nose pliers at points indicated by arrows and pull glass clip out. Follow steps 4 thru 6.



Drawing D



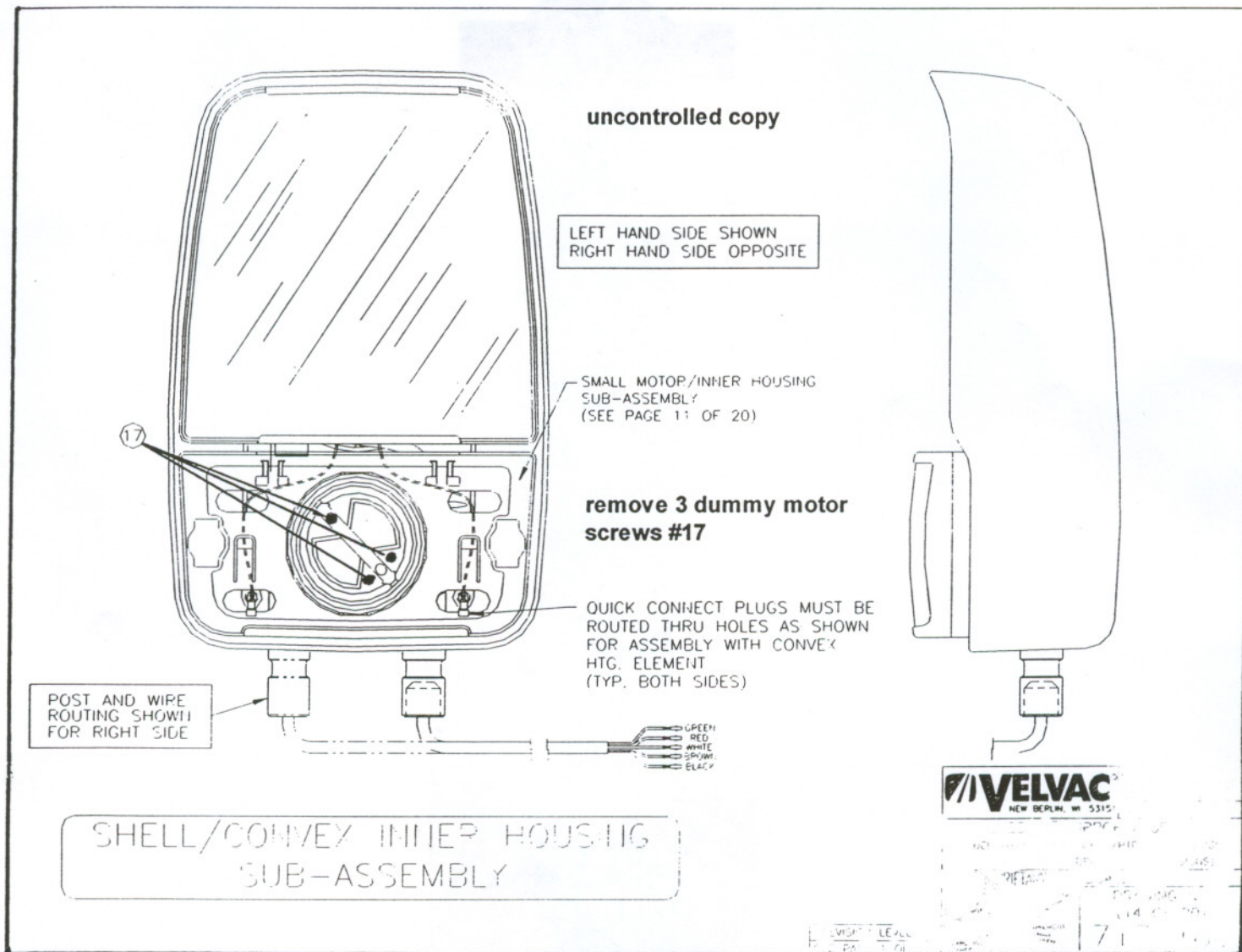
REMOVE 4
MOTOR
RETAINING
SCREWS

LEFT HAND SIDE SHOWN
RIGHT HAND SIDE OPPOSITE

UNCONTROLLED
COPY

VELVAC
NEW GEAR IN WISCONSIN

Drawing G



Drawing C

