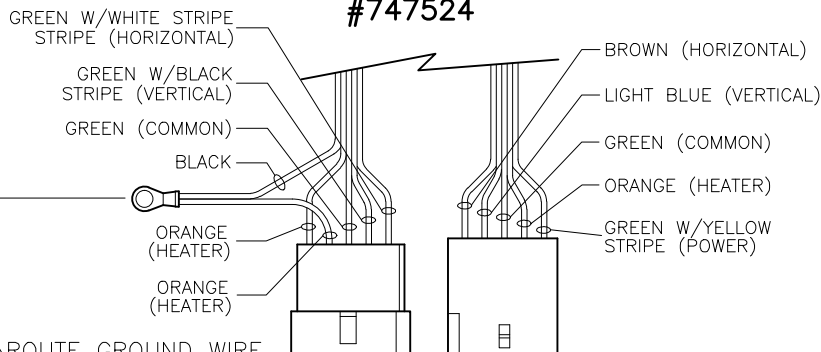


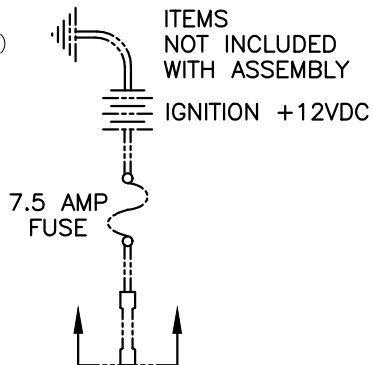
FUNCTIONAL REVISIONS:
ALL REVISIONS WITH SOLID
TRIANGLE ARE USABLE

REVISIONS		
▲12	02-22-13	SAS
▲15	ECN #E20109	
CHANGED COLORS ON		
PG 1 VIEW A-A & C-C		
(4)	WAS ORANGE	
(5)	WAS ORANGE	
(3)	WAS YELLOW	
▲16	CHANGED COLORS ON	
PG 2 VIEW A-A & C-C		
(1)	WAS WHITE	
(2)	WAS BLACK	
(3)	WAS BROWN	
▲13	08-07-20	BD

**WIRES FROM
SWITCH PLATE
#747524**



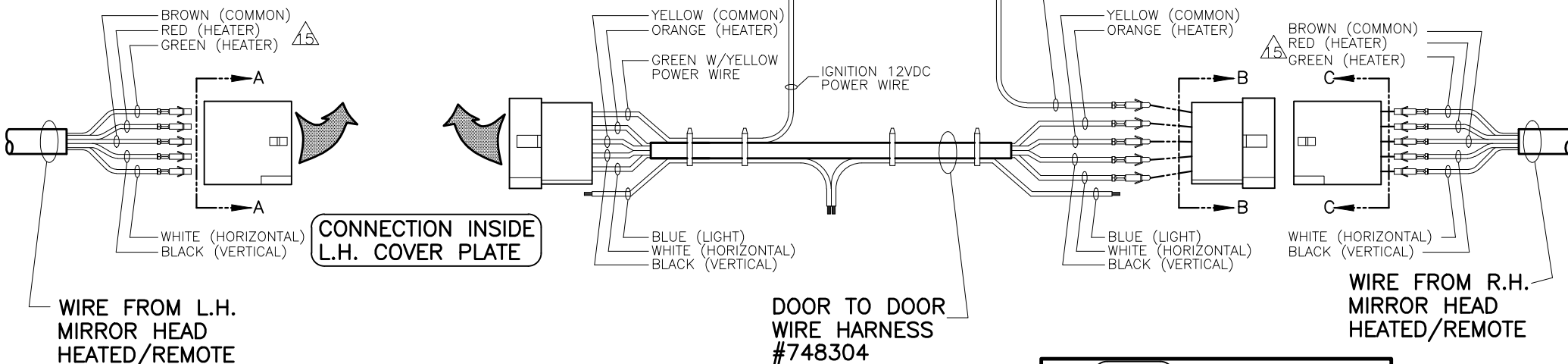
ROUTE GROUND WIRE THROUGH DOOR AND INTO CAB. SECURE WIRE INSIDE CAB.



ITEMS NOT INCLUDED WITH ASSEMBLY

IGNITION +12VDC

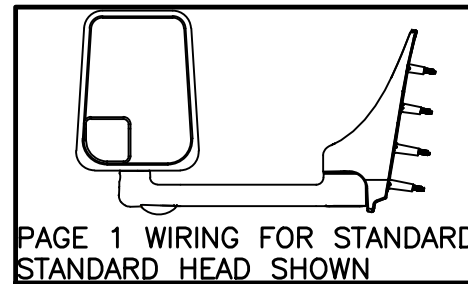
ROUTE GROUND WIRE THROUGH DOOR AND INTO CAB. SECURE WIRE INSIDE CAB.



CONNECTION INSIDE L.H. COVER PLATE

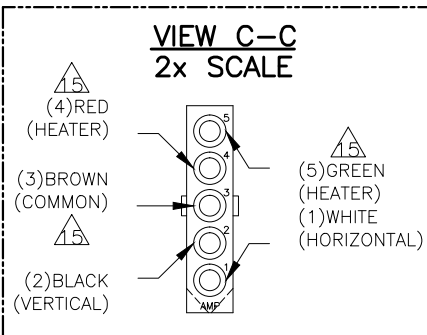
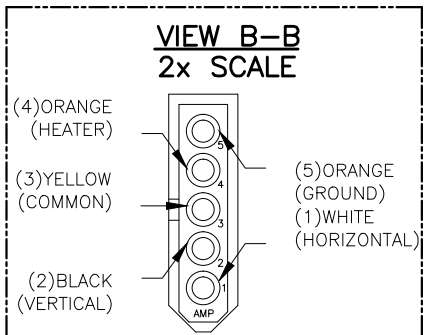
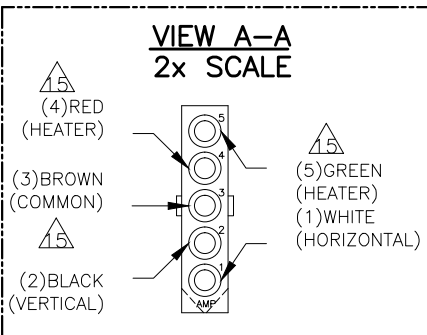
DOOR TO DOOR WIRE HARNESS #748304

WIRE FROM R.H. MIRROR HEAD HEATED/REMOTE



PAGE 1 WIRING FOR STANDARD STANDARD HEAD SHOWN

PROPRIETARY
THIS CONCEPT & DRAWING IS THE PROPERTY OF VELVAC, INC. AND SHALL NOT BE REPRODUCED, COPIED, DISCLOSED, USED FOR THE MANUFACTURE OR PROCUREMENT FROM SOURCES OTHER THAN VELVAC INC., WITHOUT WRITTEN PERMISSION FROM VELVAC INC.



SCALE: X X X

DATE: 05-06-97

DRAWN BY: B.E.

**WIRING INSTRUCTIONS
2020 MIRROR ASSY'S
FORD ECONOLINE**

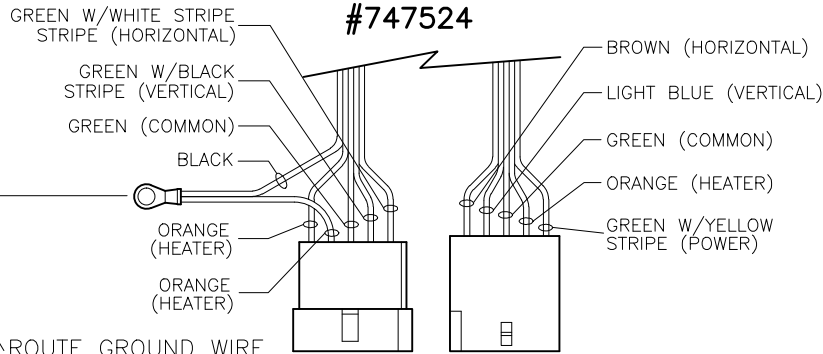
DRAWING NUMBER: PAGE 1 OF 2

7475242

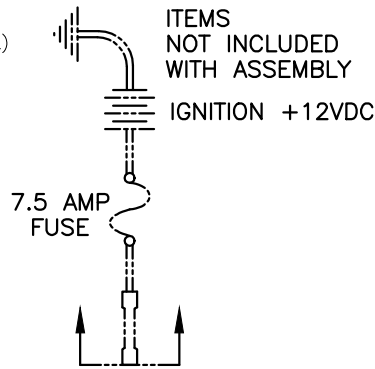
FUNCTIONAL REVISIONS:
ALL REVISIONS WITH SOLID
TRIANGLE ARE USABLE

REVISIONS
SEE PAGE 1

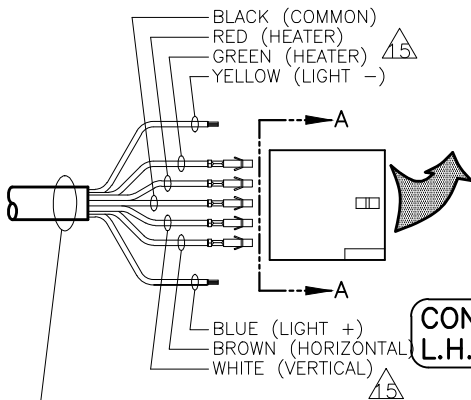
**WIRES FROM
SWITCH PLATE
#747524**



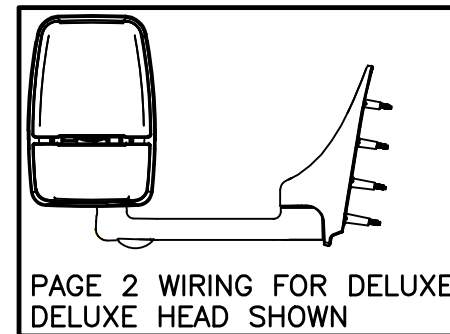
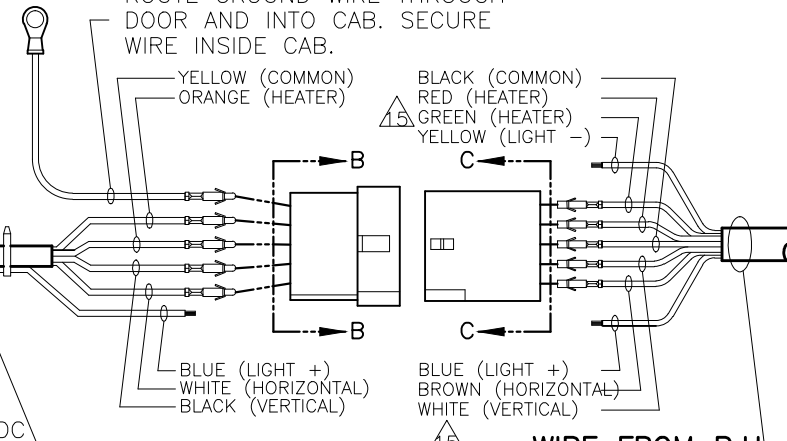
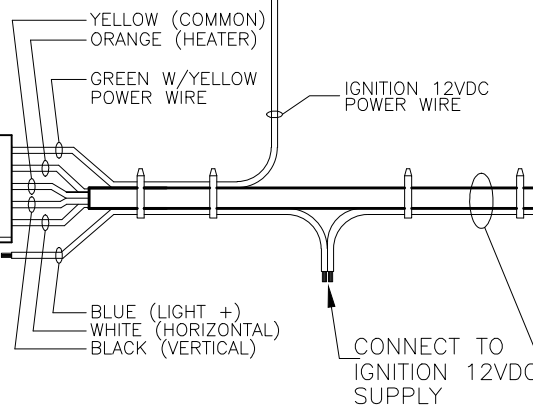
ROUTE GROUND WIRE THROUGH DOOR AND INTO CAB. SECURE WIRE INSIDE CAB.



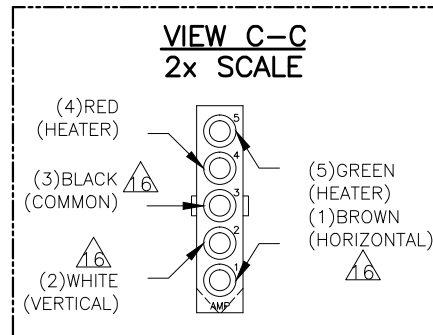
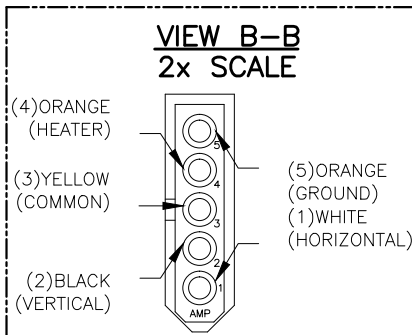
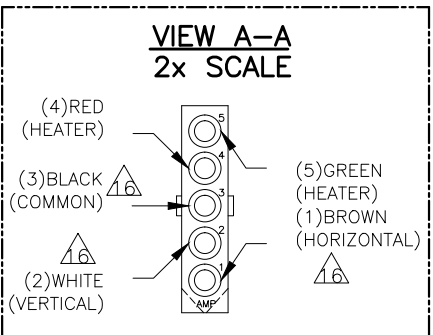
ROUTE GROUND WIRE THROUGH DOOR AND INTO CAB. SECURE WIRE INSIDE CAB.



WIRE FROM L.H. MIRROR HEAD HEATED/REMOTE



WIRE FROM R.H. MIRROR HEAD HEATED/REMOTE



PROPRIETARY
THIS CONCEPT & DRAWING IS THE PROPERTY OF VELVAC, INC. AND SHALL NOT BE REPRODUCED, COPIED, DISCLOSED, USED FOR THE MANUFACTURE OR PROCUREMENT FROM SOURCES OTHER THAN VELVAC INC., WITHOUT WRITTEN PERMISSION FROM VELVAC INC.

VELVAC

SCALE: X X X
DATE: 05-06-97
DRAWN BY: B.E.

WIRING INSTRUCTIONS
2020 MIRROR ASSY'S
FORD ECONOLINE

DRAWING NUMBER: PAGE 2 OF 2
7475242