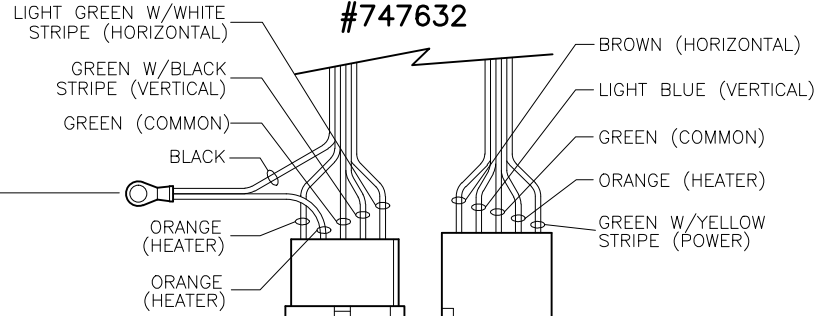


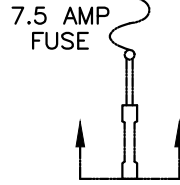
FUNCTIONAL REVISIONS:  
ALL REVISIONS WITH SOLID  
TRIANGLE ARE USABLE

REVISIONS	
▲10	07-09-13 MS ECN #20110
▲11	CHANGED COLORS ON PG 1 VIEW A-A & C-C (4) WAS ORANGE (5) WAS ORANGE (3) WAS YELLOW
▲12	CHANGED COLORS ON PG 2 VIEW A-A & C-C (1) WAS WHITE (2) WAS BLACK (3) WAS BROWN
▲11	08-08-20 BD

**WIRES FROM  
SWITCH PLATE  
#747632**

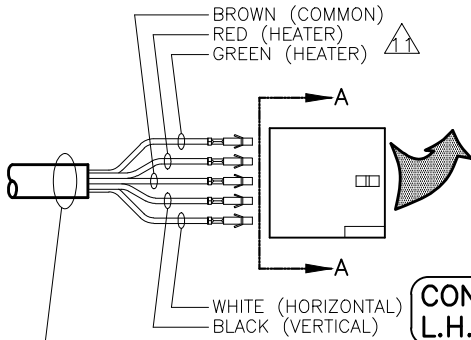


ITEMS  
NOT INCLUDED  
WITH ASSEMBLY  
IGNITION +12VDC

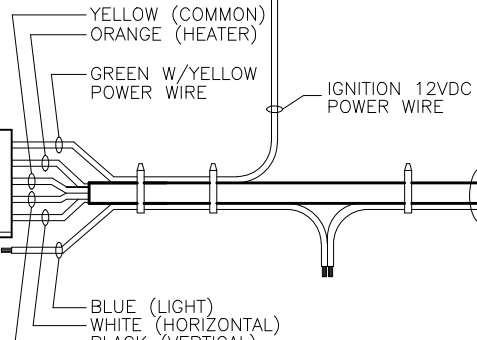


ROUTE GROUND WIRE  
THROUGH DOOR AND  
INTO CAB. SECURE  
WIRE INSIDE CAB.

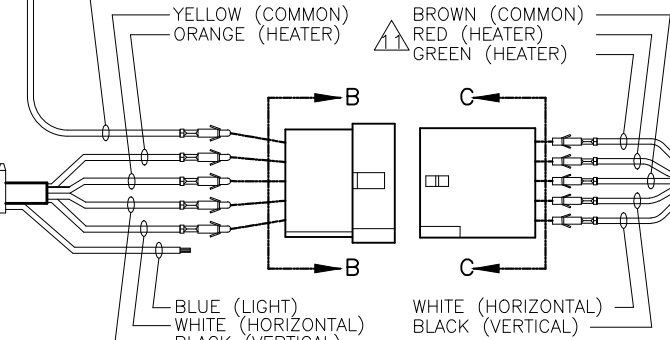
ROUTE GROUND WIRE THROUGH  
DOOR AND INTO CAB. SECURE  
WIRE INSIDE CAB.



**CONNECTION INSIDE  
L.H. COVER PLATE**

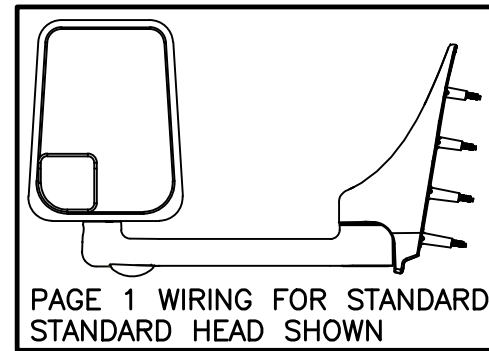


**DOOR TO DOOR  
WIRE HARNESS  
#748304**



**WIRE FROM R.H.  
MIRROR HEAD  
HEATED/REMOTE**

**WIRE FROM L.H.  
MIRROR HEAD  
HEATED/REMOTE**



**PAGE 1 WIRING FOR STANDARD  
STANDARD HEAD SHOWN**

**PROPRIETARY**

THIS CONCEPT & DRAWING IS THE  
PROPERTY OF VELVAC, INC. AND  
SHALL NOT BE REPRODUCED,  
COPIED, DISCLOSED, USED FOR THE  
MANUFACTURE OR PROCUREMENT  
FROM SOURCES OTHER THAN VELVAC  
INC., WITHOUT WRITTEN PERMISSION  
FROM VELVAC INC.



SCALE: X X X

DATE: 04-09-99

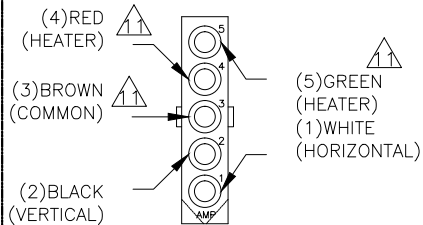
DRAWN BY: J.S.

**WIRING INSTRUCTIONS  
2020 MIRROR ASSY'S  
CHEVY G-VAN**

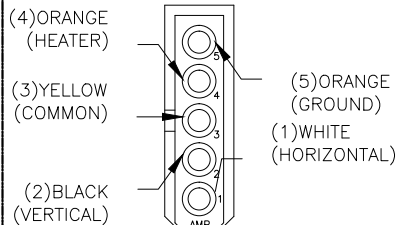
DRAWING NUMBER: PAGE 1 OF 3

**7476322**

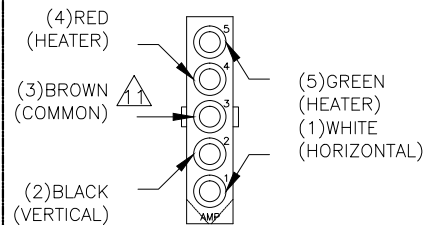
**VIEW A-A  
2x SCALE**



**VIEW B-B  
2x SCALE**



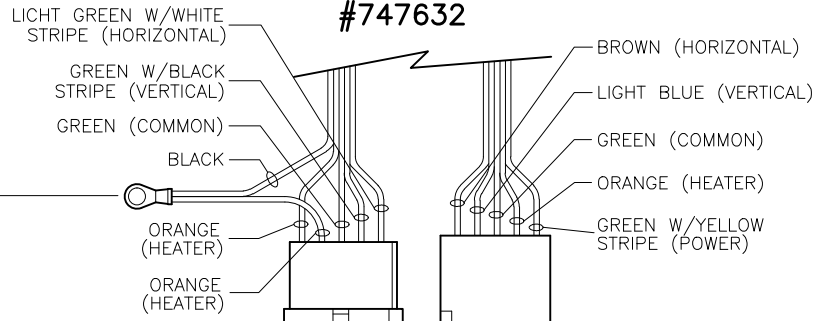
**VIEW C-C  
2x SCALE**



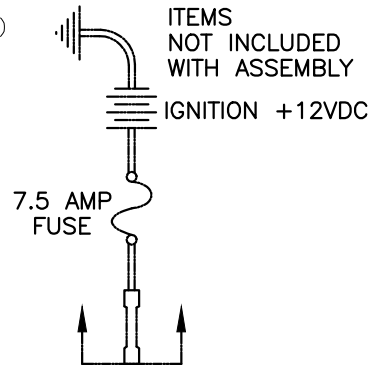
FUNCTIONAL REVISIONS:  
ALL REVISIONS WITH SOLID  
TRIANGLE ARE USABLE

REVISIONS  
SEE PAGE 1

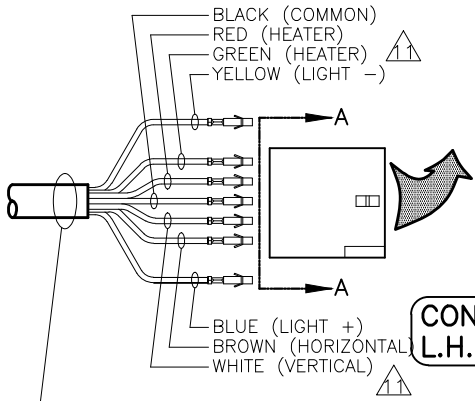
**WIRES FROM  
SWITCH PLATE  
#747632**



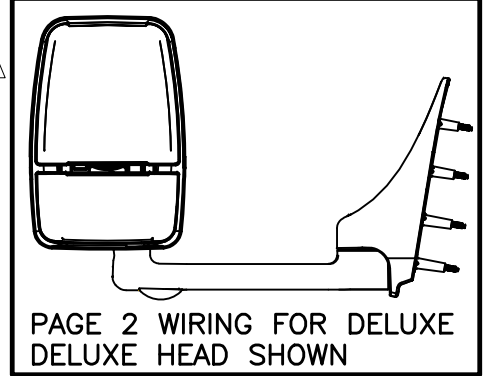
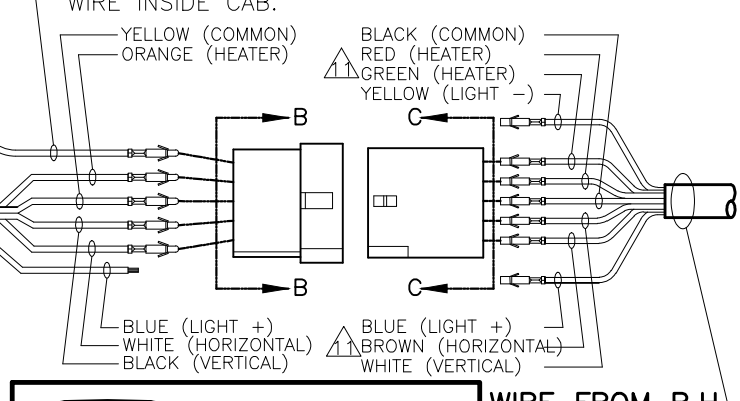
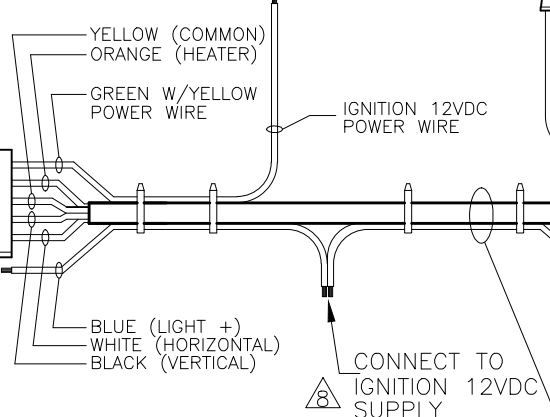
ROUTE GROUND WIRE THROUGH DOOR AND INTO CAB. SECURE WIRE INSIDE CAB.



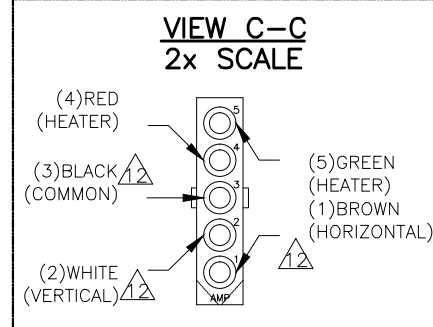
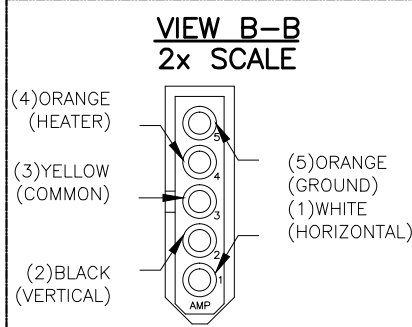
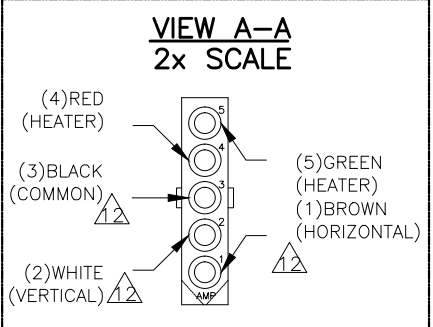
ROUTE GROUND WIRE THROUGH DOOR AND INTO CAB. SECURE WIRE INSIDE CAB.



**CONNECTION INSIDE  
L.H. COVER PLATE**



WIRE FROM R.H. MIRROR HEAD HEATED/REMOTE



**PROPRIETARY**  
THIS CONCEPT & DRAWING IS THE PROPERTY OF VELVAC, INC. AND SHALL NOT BE REPRODUCED, COPIED, DISCLOSED, USED FOR THE MANUFACTURE OR PROCUREMENT FROM SOURCES OTHER THAN VELVAC INC., WITHOUT WRITTEN PERMISSION FROM VELVAC INC.



SCALE: X X X  
DATE: 04-09-99  
DRAWN BY: J.S.

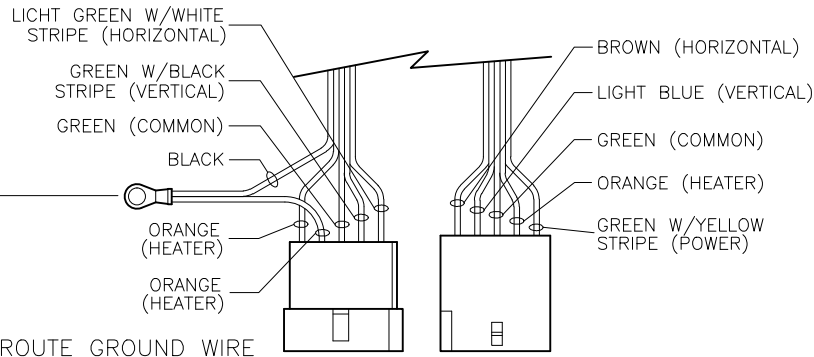
WIRING INSTRUCTIONS  
2020 MIRROR ASSY'S  
CHEVY G-VAN

DRAWING NUMBER: PAGE 2 OF 3  
**7476322**

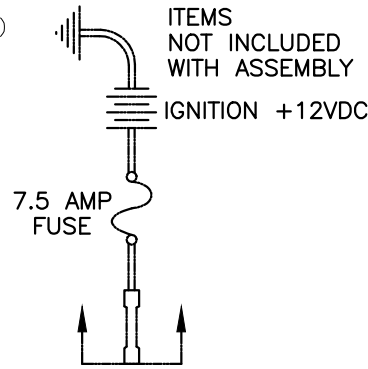
FUNCTIONAL REVISIONS:  
ALL REVISIONS WITH SOLID  
TRIANGLE ARE USABLE

REVISIONS  
SEE PAGE 1

**WIRES FROM SWITCH PLATE**

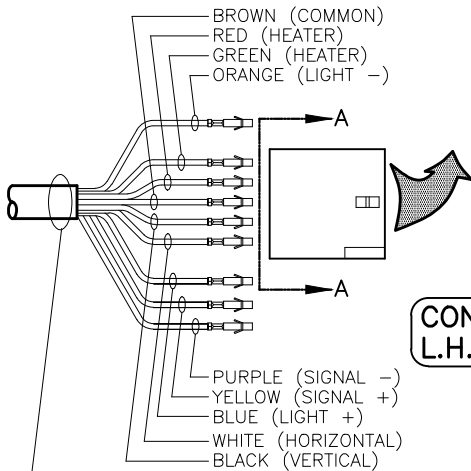


ROUTE GROUND WIRE THROUGH DOOR AND INTO CAB. SECURE WIRE INSIDE CAB.



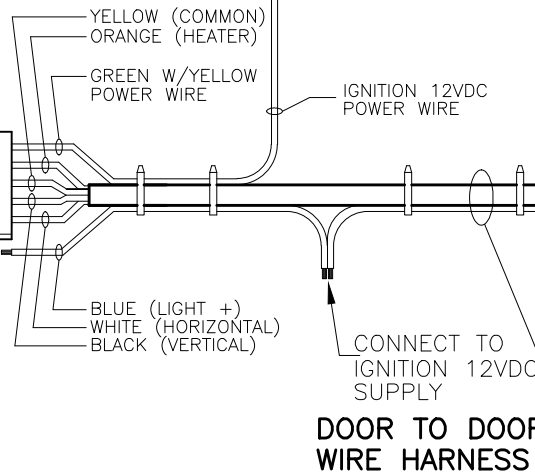
**CONNECTION INSIDE R.H. COVER PLATE**

ROUTE GROUND WIRE THROUGH DOOR AND INTO CAB. SECURE WIRE INSIDE CAB.

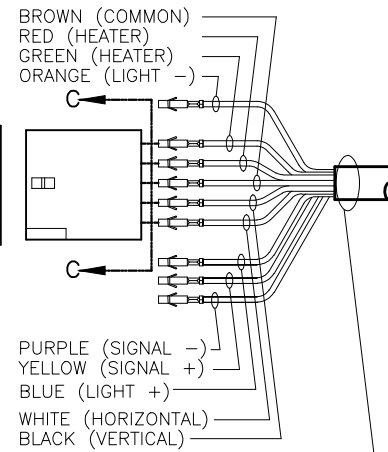
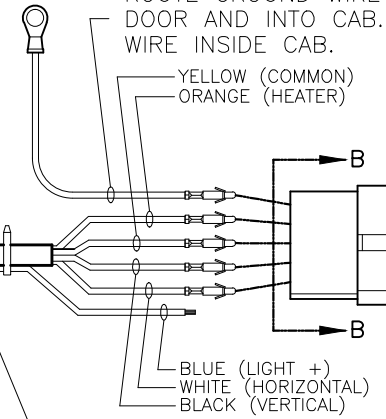


WIRE FROM L.H. MIRROR HEAD HEATED/REMOTE

**CONNECTION INSIDE L.H. COVER PLATE**



DOOR TO DOOR WIRE HARNESS



WIRE FROM R.H. MIRROR HEAD HEATED/REMOTE

**FOR HEATED/REMOTE MIRRORS SEE PAGE 1**  
**FOR HEATED/REMOTE/LIGHTED MIRRORS SEE PAGE 2**  
**FOR HEATED/REMOTE/LIGHTED/SIGNAL MIRRORS SEE PAGE 3**

PROPRIETARY

THIS CONCEPT & DRAWING IS THE PROPERTY OF VELVAC, INC. AND SHALL NOT BE REPRODUCED, COPIED, DISCLOSED, USED FOR THE MANUFACTURE OR PROCUREMENT FROM SOURCES OTHER THAN VELVAC INC., WITHOUT WRITTEN PERMISSION FROM VELVAC INC.



SCALE: X X X

DATE: 04-09-99

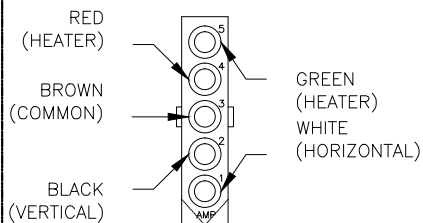
DRAWN BY: J.S.

WIRING INSTRUCTIONS  
2020 MIRROR ASSY'S  
CHEVY G-VAN

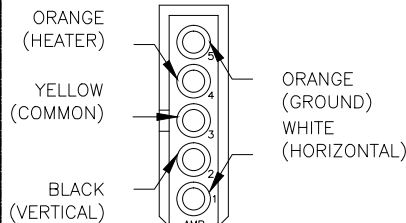
DRAWING NUMBER: PAGE 3 OF 3

7476322

**VIEW A-A**  
2x SCALE



**VIEW B-B**  
2x SCALE



**VIEW C-C**  
2x SCALE

